



HIGH PERFORMANCE
DISPLAY SYSTEMS

2024 Collection

This is Expolinc



We are the hardware people!

We do not print, and therefore, we do not sell directly to end-users. We are happy to direct end-users to our many professional dealers worldwide!

Everything that we offer is developed by us!

That is a security for any user, we are in full control. We don't source any products from third party suppliers.

It is important that it looks nice!

We strongly believe that its so important for the end result that the products are neutral and that the graphic hangs perfect. That's the whole purpose - putting the user in the best of lights!

User-friendliness is key!

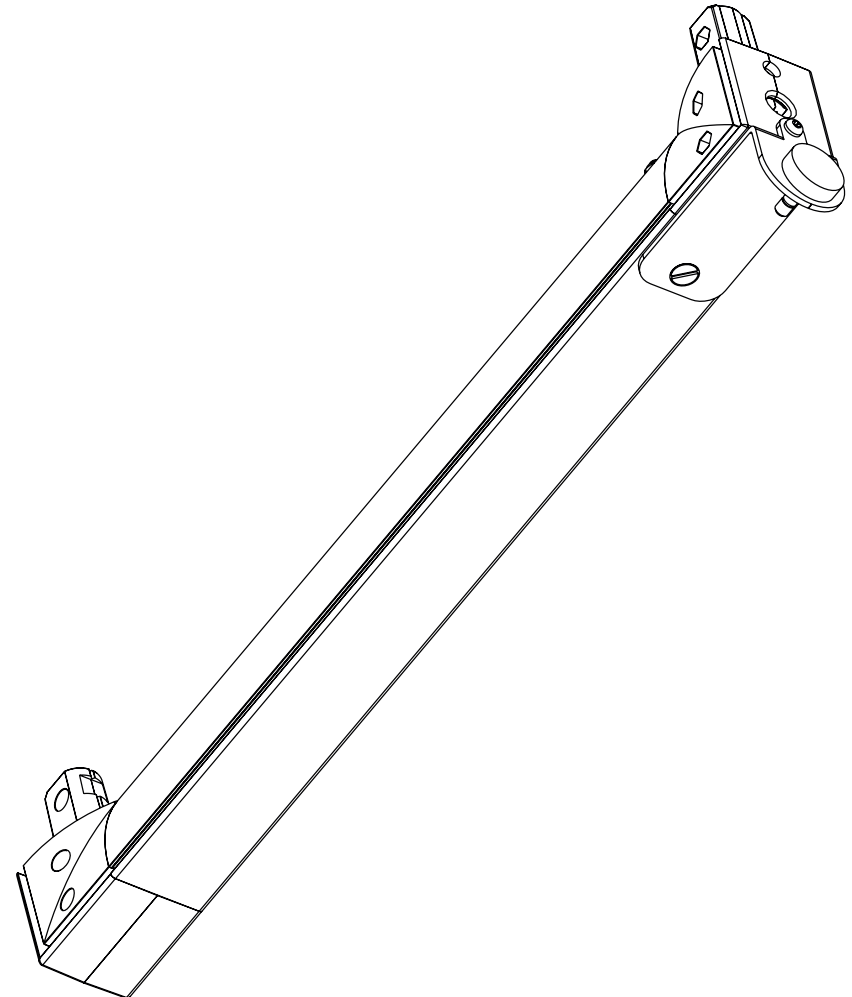
If you are struggling with set-up, the end result is at risk! We make sure our products are intuitive and user-friendly. It should be fun to set-up our products, for everyone... and of course with a perfect result!

Lifetime is economy and sustainability!

The best materials and designs enables you to reuse our products for a long, long time! We put attention to every detail, both in design and production.

Its all heart!

All of us at Expolinc are passionate about our business and we are so proud that many of the world-wide brands are users of our products. For more than 35 years!





NEW! LIGHT FRAME
4 - 9



LIGHT FRAME MINI
10 - 11



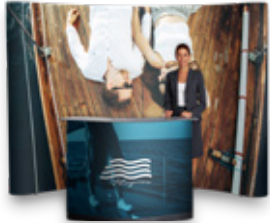
NEW! LIGHT FRAME COUNTER
12



CLASSIC FRAME
13 - 18



FABRIC SYSTEM
19 - 22



POP UP MAGNETIC
23 - 27



SOFT IMAGE
28



PANEL BASE
29



MAGNET FRAME
30



FABRIC STAND
31



ROLL UP CLASSIC
32 - 33



ROLL UP COMPACT
34 - 35



4 SCREEN CLASSIC
36 - 37



INFO COUNTER
38



STANDARD CASE
39



NEW! FOLD OUT COUNTER
40



SOFT IMAGE COUNTER
41



CASE & COUNTER
42 - 43



MONITOR STAND
44



ACCESSORIES
45-47

Light Frame 2.0

New and improved!

Whats new?

- Less cables

Enjoy the convenience of only one single power cable from the socket to the frame.

- Built-in power supplies

Installation is a breeze, ensuring a clean display without the hassle of power supplies on the floor.

- Versatile widths options

Introduces a range of light profiles, offering flexibility to build up to 22 different sizes!



Safety tested and approved by Intertek according to:
European Union Standards (CE):
IEC 60598-2-1:1979+A1, EN 60598-1:2015+A1, EN 60598-2-1:1989, IEC 60598-1:2014/AMD1:2017, IEC 62031
IEC 62471:2006



Safety tested and approved by Intertek according to:
North American Standards (ETL):
CSA C22.2#250.0:2018 Ed.4, UL 153:2014 Ed13+R27 Jul2018



Light Frame

Build up to 22 different sizes
- tailor your display to perfection!

- WORLD CLASS LIGHT QUALITY
- CERTIFIED ACCORDING TO CE AND ETL
- INTEGRATES WITH CLASSIC FRAME
- MODULAR AND STABLE
- DOUBLE-SIDED



Watch the movie about
Light Frame at expolinc.com



1,96x2,50 m



3,96x3,00 m

BASIC PACKAGES



962 X 2 500 mm	28.5 kg
1 962 X 2 500 mm	36.0 kg*
2 962 X 2 500 mm	43.5 kg*
3 962X 2 500 mm	51.5 kg**

The packages includes a complete light frame incl
double sided supporting feet, delivered in boxes.
*Incl. 1 supporting rod. **Incl. 2 supporting rods.

TRAVEL PACKAGES



962 X 2 500 mm	28.5 kg
1 962 X 2 500 mm	36.0 kg*
2 962 X 2 500 mm	43.0 kg*
3 962 X 2 500 mm	50.7 kg**

The packages includes a complete light frame incl
double sided supporting feet, delivered in a soft bag with wheels,
accessory bag and profiles in inner bags.
*Incl. 1 supporting rod. **Incl. 2 supporting rods.

STANDARD CASE XL PACKAGES



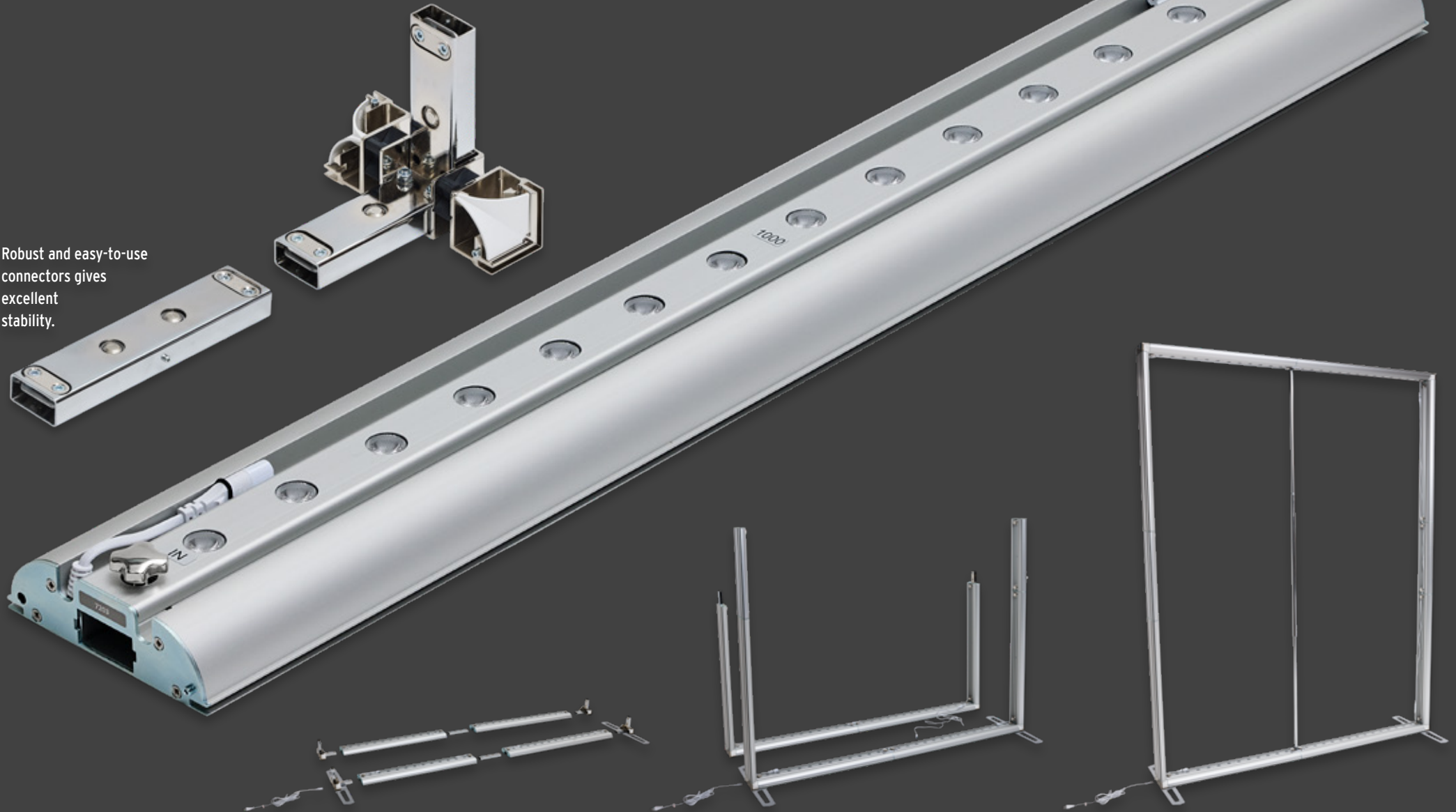
1 962 X 2 500 mm	44.5 kg*
2 962 X 2 500 mm	51.1 kg*
3 962 X 2 500 mm	59.2 kg**

The packages includes a complete light frame incl
double sided supporting feet, delivered in Standard Case XL, accessory bag
and profiles in inner bags.
*Incl. 1 supporting rod. **Incl. 2 supporting rods.

Light Frame Powerful LED lights embedded

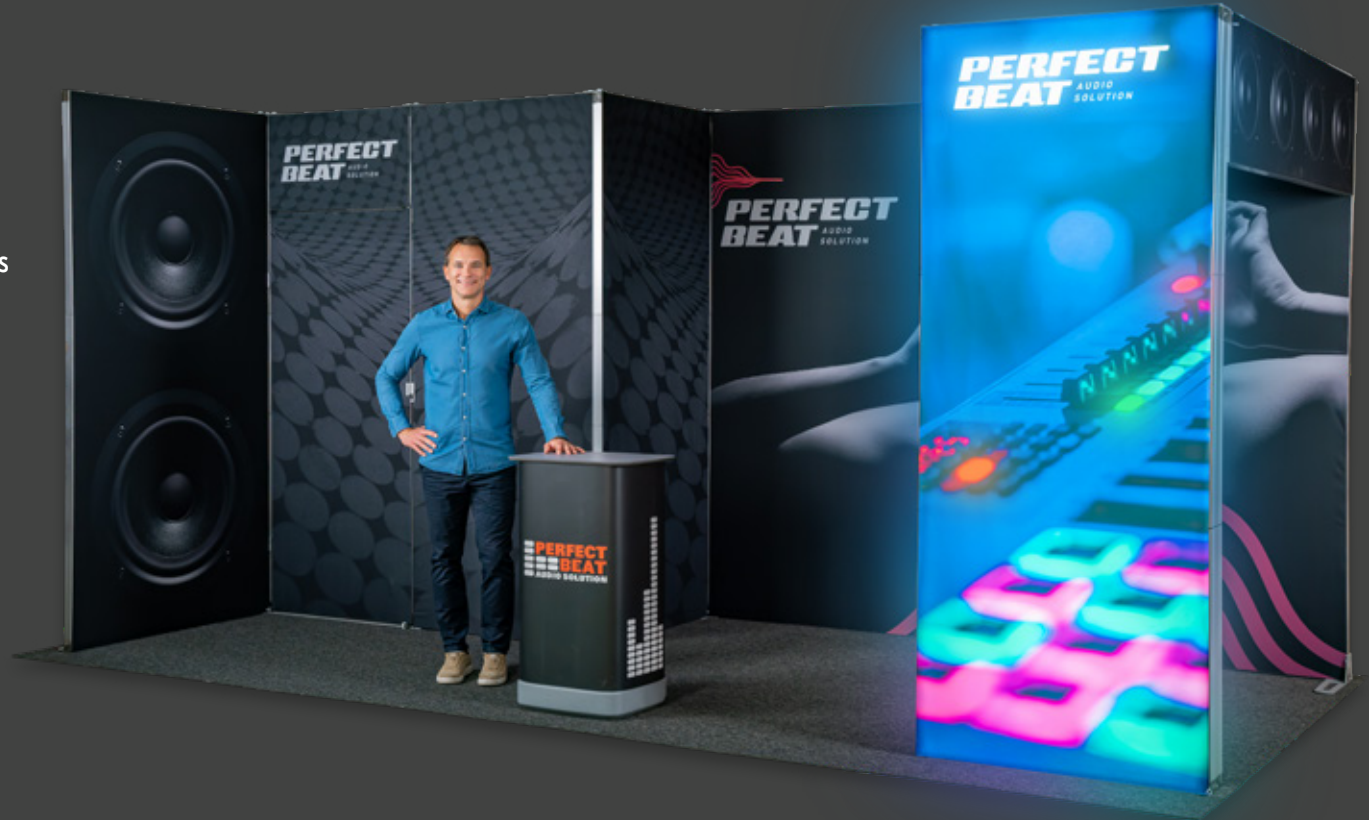
LED lights are protected in the light profile.
Available in 500, 875 and
1000mm widths.

Robust and easy-to-use
connectors gives
excellent
stability.



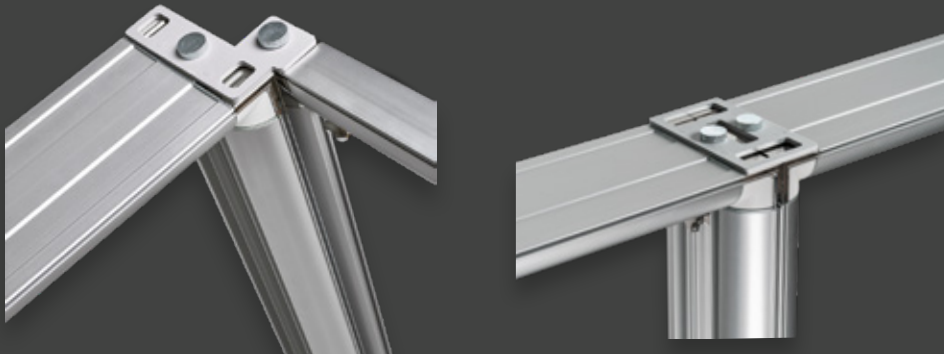
Build flexible and impressive environments.

Combine Light Frame and Classic Frame to create amazing environments. Build various heights and widths in different combinations in only a few steps. Reuse and resize for your next event, the only thing you might need to replace is the graphic. This is what we call sustainable and flexible!



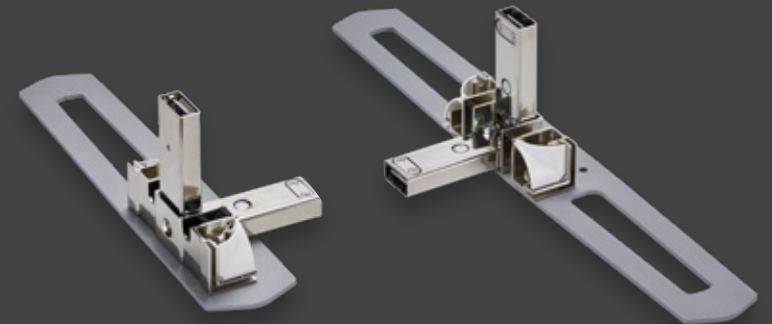
CONNECTORS

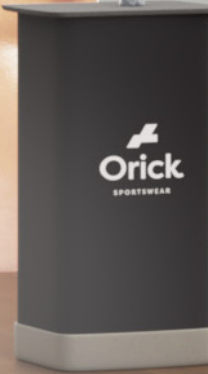
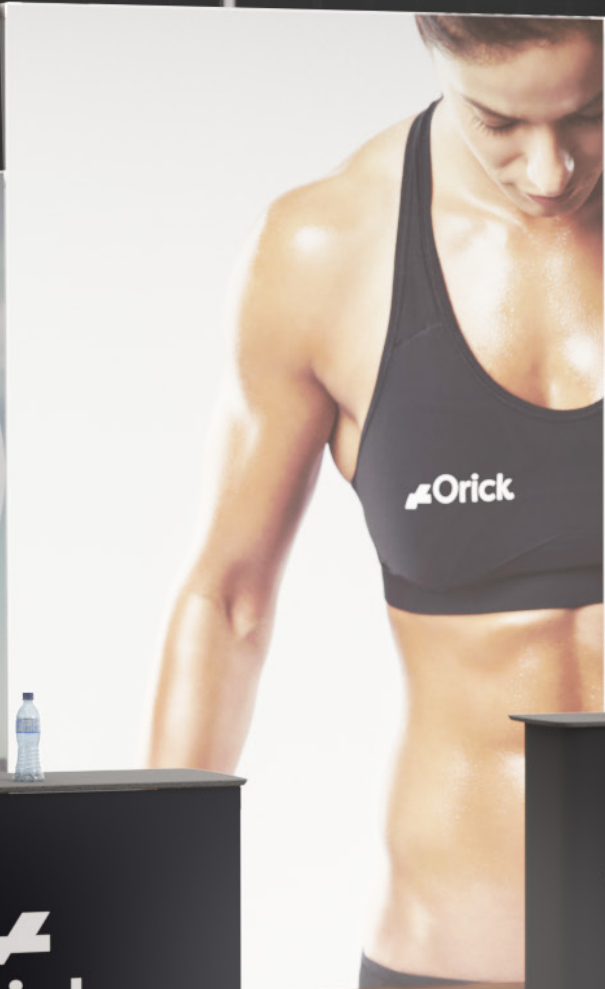
Connect frames, with or without lights, straight or in angle.



SUPPORTING FEET

Single-sided or double-sided foot depending on your needs.







Light Frame Mini

Probably the most elegant light frame on the market

Light Frame Mini is a portable, backlit aluminum frame for fabric prints (SEG).
World class LED-lights makes your brand stand out from competitors.
Easy to set-up without any tools and can be used both as single or double-sided.



Safety tested and approved by Intertek according to:

European Union Standards (CE):

IEC 60598-2-1:1979+A1, EN 60598-1:2015+A1, EN 60598-2-1:1989, IEC 60598-1:2014/AMD1:2017, IEC 62031
IEC 62471:2006



Safety tested and approved by Intertek according to:

North American Standards (ETL):

CSA C22.2#250.0:2018 Ed.4, UL 153:2014 Ed13-R:27.Jul2018

Light Frame Mini

- INTEGRATED WORLD CLASS LED LIGHTS
- PLUG AND PLAY TECHNOLOGY
- PORTABLE AND TOOL-LESS
- STYLISH DESIGN WITH QUALITY FINISH
- CERTIFIED ACCORDING TO CE AND ETL



Watch the movie about
Light Frame Mini at expolinc.com



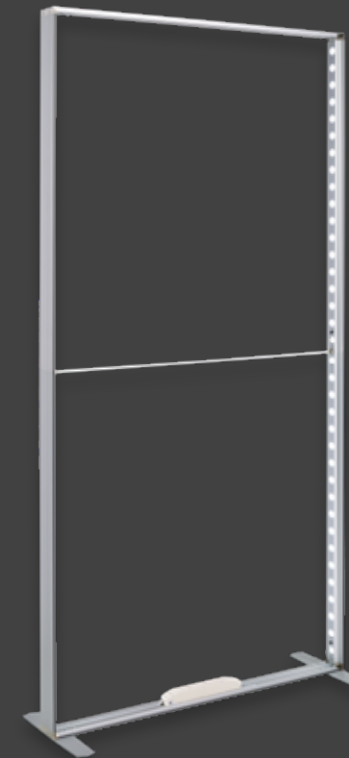
Light Frame Mini &
Light Frame Counter



Quick slide together assembly.



Optional:
Soft bag with wheels.



FACTS LIGHT FRAME MINI

Version.....	1000x2000	1000x2340
Total width (mm)	1000	1000
Total height (mm)	2000	2340
Weight (kg)	11	12

Light Frame Counter

Light Up Your Brand's Brilliance!

Elevate your meeting space with the stunning Light Frame Counter. Designed to capture attention, this stylish counter effortlessly enhances your brand's presence. With its sleek and portable design, you can transport and assemble it with ease. Whether paired with backwalls or shining independently, this unique system is a must-have for making a memorable impression. Our Light Frame Counter also features an inner shelf, offering a practical storage solution.

Don't miss the opportunity to stand out!

- INTEGRATED WORLD CLASS LED LIGHTS
- PLUG AND PLAY TECHNOLOGY
- VERY STABLE LIGHTWEIGHT DESIGN
- PORTABLE AND TOOL-LESS
- STYLISH DESIGN WITH QUALITY FINISH
- CERTIFIED ACCORDING TO CE AND ETL



Watch the movie about
Light Frame Counter at expolinc.com



Delivered in a soft bag with wheels.



Smart inner shelf for organization.



Integrated driver for functionality and hassle-free operation.

FACTS LIGHT FRAME COUNTER

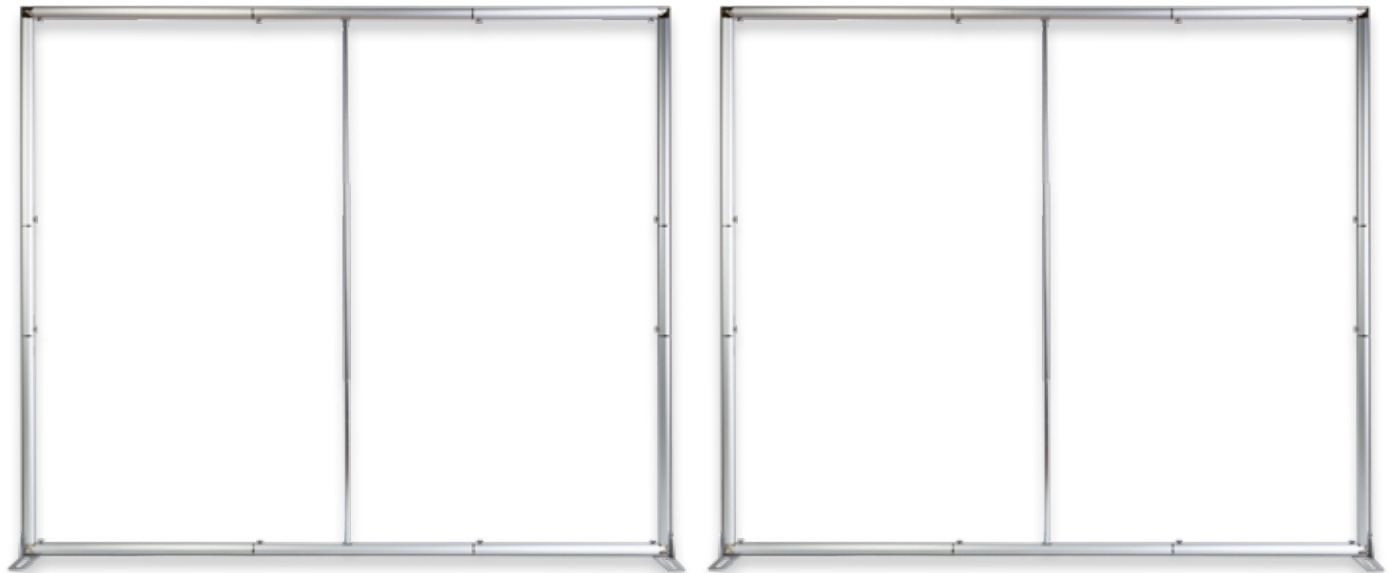
Width (mm)	1030
Height (mm)	1060
Depth (mm)	410



Classic Frame

The choice is yours Build anything!

Let us introduce Classic Frame. It requires no tools or specialized labor to setup. The unique magnetic connectors guide you to a smooth, stable and safe installation. The system's design consists of smooth, rounded edges along with profiles with high surface finish for a stylish environment.



Classic Frame

MONITOR STAND

Can be combined with Monitor Stand. Read more on page 45.



- PORTABLE AND TOOL-LESS
- FULLY INTEGRATABLE WITH LIGHT FRAME
- MAGNETIC CLUTCH. ASSEMBLY MADE SIMPLE
- AVAILABLE WITH STORAGE ROOM
- DOUBLE-SIDED



Watch the movie about Classic Frame at expolinc.com



Optional Soft bag for Classic Frame profiles.

BASIC PACKAGE

500 X 2 500 mm	8.3 kg
950 X 2 500 mm	10.5 kg
1 950 X 2 500 mm	14.5 kg
2 950 X 2 500 mm	16.5 kg *
3 950 X 2 500 mm	20.4 kg **
4 950 X 2 500 mm	25.0 kg **



The packages includes a complete frame, packed in a delivery box.
*Incl. 1 supporting rod. **Incl. 2 supporting rods.

TRAVEL PACKAGE

1 950 X 2 500 mm	18.3 kg
2 950 X 2 500 mm	23.3 kg *
3 950 X 2 500 mm	26.3 kg **
4 950 X 2 500 mm	28.5 kg **



The packages includes a complete frame, delivered in a soft bag with wheels.
*Incl. 1 supporting rod. **Incl. 2 supporting rods.

STANDARD CASE XL PACKAGE

1 950 X 2 500 mm	26.7 kg
2 950 X 2 500 mm	29.0 kg *
3 950 X 2 500 mm	32.7 kg **
4 950 X 2 500 mm	35.0 kg **



The packages includes a complete frame, delivered in a Standard Case XL.
*Incl. 1 supporting rod. **Incl. 2 supporting rods.



Addition, Standard Case XL:
White or silver top shelf.

Classic Frame

Scalable dimensions

2 M



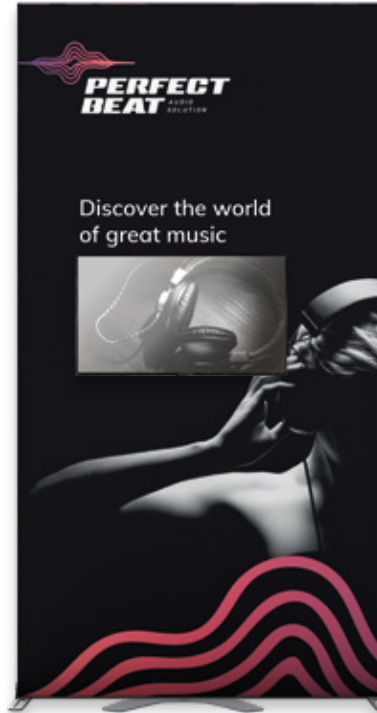
2,25 M



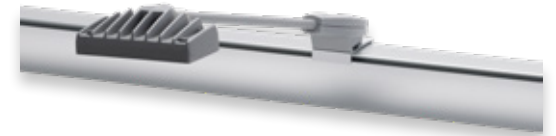
2,50 M



3 M



Combine with Monitor Stand.



LIGHTS

LED spotlight incl bag.



SUPPORTING RODS

Four heights available. 2m, 2.25m, 2.5m and 3m.



SUPPORTING FEET

Four different types:
Double-sided pair, single-sided pair, single-sided connection foot & double-sided connection foot.



Innovative magnetic connectors guide you to a smooth, stable and safe installation.

Classic Frame Sky Bridge

Free yourself from the limitations of the floor



Watch the movie about Sky Bridge at expolinc.com



CONNECTORS

Different connectors to create your unique frame system.



Classic Frame Storage Room

Storage space

- LOCKABLE, MODULAR AND TOOL-LESS
- AVAILABLE WITH LEFT OR RIGHT HUNG DOOR
- FULLY INTEGRATES WITH CLASSIC FRAME & LIGHT FRAME
- STANDARD OR XL-SIZE
- 2,5 OR 3,0M HEIGHT



Watch the movie about Storage Room at expolinc.com



Classic Frame with Storage Room XL.



Add a shelf kit for Storage Room Standard.



2,5m Standard



2,5m XL



3,0m Standard



3,0m XL



Classic Frame with Storage Room Standard.

STORAGE ROOM 2500 STANDARD

Width (mm).....	950
Height (mm).....	2 500
Depth (mm).....	1 000
Weight.....	47.0 kg

STORAGE ROOM 2500 XL

Width (mm).....	1 950
Height (mm).....	2 500
Depth (mm).....	1 000
Weight.....	63.0 kg

STORAGE ROOM 3000 STANDARD

Width (mm).....	950
Height (mm).....	3 000
Depth (mm).....	1 000
Weight.....	55.0 kg

STORAGE ROOM 3000 XL

Width (mm).....	1 950
Height (mm).....	3 000
Depth (mm).....	1 000
Weight.....	69.0 kg

Classic Frame Counter

Stable and solid

- EASY TO SET-UP
- PERFECT FOR MEETINGS OR DEMO TABLE
- STABLE SHELF FOR MARKETING MATERIAL
- AVAILIABLE IN 1 OR 2M WIDTH



Watch the movie about
Classic Frame Counter at expolinc.com



1950 X 990 mm



Optional Soft bag with wheels for counter 1m.



950 X 990 mm



CLASSIC FRAME COUNTER

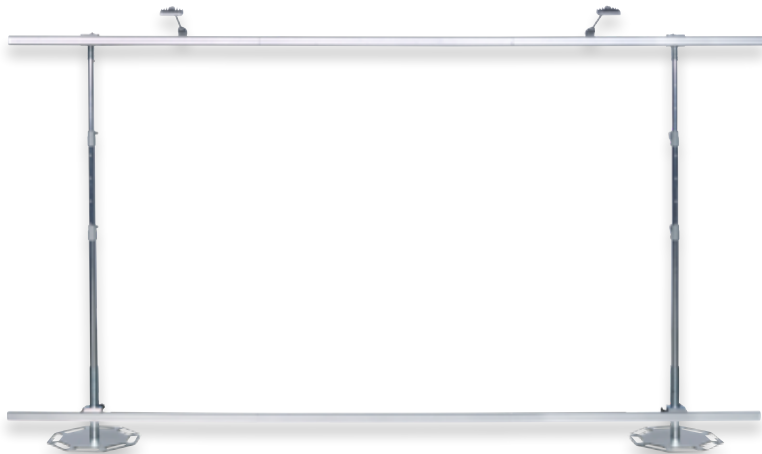
Width (mm).....	950 / 1950
Height (mm).....	990 / 990
Depth (mm).....	410 / 410
Weight.....	33.5 kg / 44,0 kg



Fabric System

Create an impressive seamless backwall

With Fabric System you can make a great impact with a backwall in your own size, shape and height. Choose between straight, inner and outer curves. Do you want to change the image or size? No problem, re-use the hardware for years and simply put on a new graphic. The structure is easily built and the fabric is attached at working height before it is lifted.



Fabric System

MONITOR STAND

Can be combined with Monitor Stand. Read more on page 45.



- UP TO 18 SQM WALL IN ONE BOX
- CREATE YOUR OWN SHAPES AND HEIGHTS
- PATENTED SOLUTION FOR EASY SET UP



Watch the movie about Fabric System at expolinc.com



The soft bag is designed for 2 poles, profiles and a graphic of up to 14 sqm. The steel bases are carried separately in a dedicated bag.

FACTS FABRIC SYSTEM

Height	flexible 1150 - 2900 mm
Length straight section	1000 mm
Length straight section	1100 mm
Length curved 15° inside	1100 mm
Length curved 15° outside	1100 mm
Length curved 90° inside	1300 mm

MAXIMUM BUILDING WIDTH

2 Poles straight	3,3 m
2 Poles curved 15°	3,3 m
3 Poles curved 15°	6,6 m
3 Poles straight	6,6 m

WEIGHT EXCL GRAPHIC AND PROFILES

2 Poles Soft Bag	18,0 kg
2 Poles Standard Case XL	31 kg
3 Poles Standard Case XL	37 kg

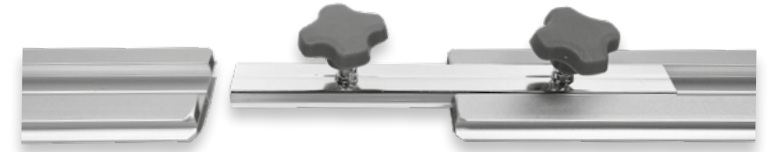


ALL COMPLETE IN ONE BOX!

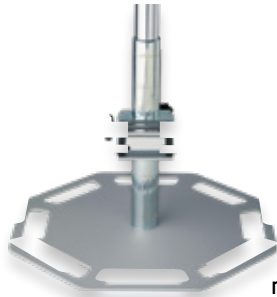
Standard Case XL holds up to 3 poles and 12 profiles. The case can easily be converted into a podium.

Fabric System Do it yourself!

Combine with Monitor Stand



Telescopic height,
robust and easy to use.



The telescopic pole is
mounted on a stable base.



Snap lock the profiles
into the holders.



Build with angles
with different connections.

Fabric System Patented technology

Best in Class LED available.
15W and impressive 1200 Lumen.



System well protected
in robust bags.



The silicone edges at the top
and bottom of the graphic are
easily slid into the profiles.



The edge of the graphic is
folded around the profile
and secured with a spring clip.



With flexible joints, each pole can be
lowered separately which enables easy
handling of complex shapes.

Pop Up Magnetic

Professional impact in a few minutes

This is probably the easiest big image wall on the market. So user-friendly you can assemble it on your own in a few minutes. The magnetic bars guides everything into position, the panels fall into place and fit seamlessly, securing the perfect setting for your brand.



Pop Up Magnetic

- PROBABLY THE WORLD'S EASIEST POP UP TO SET UP
- FLEXIBLE HEIGHTS, WIDTHS AND CURVES
- UNLIMITED POSSIBILITIES TO CUSTOMIZE YOUR LOOK



Watch the movie about
Pop Up Magnetic at expolinc.com

MONITOR STAND

Can be combined
with Monitor Stand.
Read more on page 45.



3 065 X 2 224 mm



1 510 X 2 975 mm



2 290 X 2 500 mm



FACTS POP UP MAGNETIC CURVED

No. of squares	2X3	3X3	4X3
Design	Curved	Curved	Curved
Width (mm)	1 915	2 535	3 065
Height (mm)	2 224	2 224	2 224
Depth (mm)	510	710	970
Weight, package (kg) - Basic	8,5	10,4	12,3
Weight, package (kg) - Travel	18,0	21,0	22,5
Weight, package (kg) - Standard	23,0	25,5	27,5
Weight, package (kg) - Case & Counter	29,5	32,0	34,5

FACTS POP UP MAGNETIC STRAIGHT

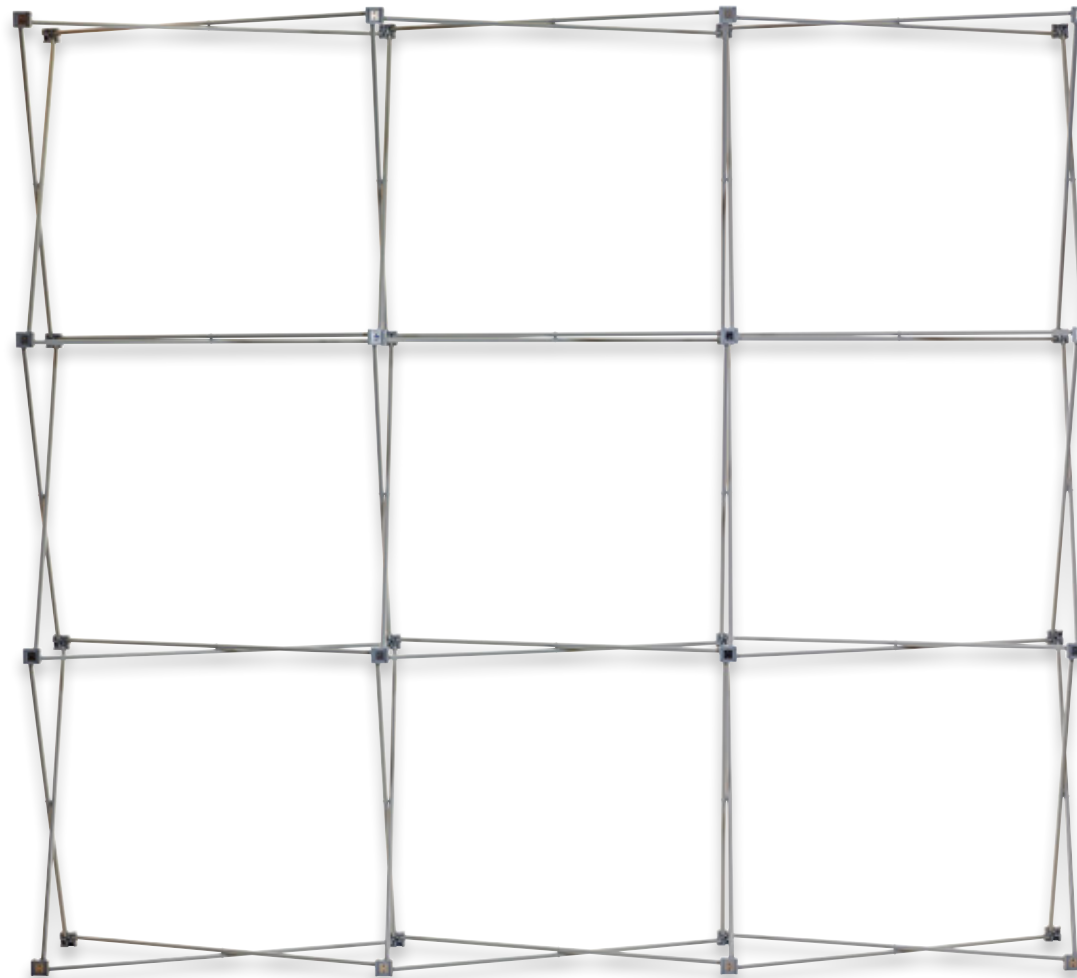
No. of squares	2X3	3X3	4X3
Design	Straight	Straight	Straight
Width (mm)	2 016	2 749	3 482
Height (mm)	2 224	2 224	2 224
Depth (mm)	315	315	315
Weight, package (kg) - Basic	8,8	10,8	13,0
Weight, package (kg) - Travel	18,5	20,5	23,5
Weight, package (kg) - Standard	23,3	27,6	29,5
Weight, package (kg) - Case & Counter	30,0	32,5	35,0

FACTS POP UP MAGNETIC TOWER

No. of panels	1X3
Height (mm)	2 224
Diameter (mm)	643
Weight, package (kg)	6,6

*Standard packages with curved side panels

Pop Up Magnetic Professional impact in a few minutes



Hangers that guide the panels into the right position.



The magnetic bars are guided into the right position and the panels fall into place.



It is very easy to lock and unlock the system.

Pop Up Magnetic – Custom set

Combine structures and build your environment without limitations. Pick and choose from straight and curved structures of different heights to create your custom set. All parts are assembled without tools and each structure stands by itself, which makes it the best in class for ease of setup. Ready-made packages are also available with different packing solutions.



FLAT SIDES

Flat sides are an easy to use option. Simply snap on with magnetic bars to get a stylish finish on your display.



DIFFERENT HEIGHTS

Use different magnetic bars and structures to reach 2.5m and 3m height.

Pop Up Magnetic Packages and accessories



BASIC PACKAGE

For those of you who don't want to move the system much, mostly keeping it stationary.

Content: Frame, magnetic bars, hangers and kickers, 30 m magnetic tape and delivery box.



TRAVEL PACKAGE

For those of you who travel a great deal and want a system that's easy and convenient to take along.

Content: Frame, magnetic bars, hangers and kickers, 30 m magnetic tape, LED spotlights in protective packaging, panel wrap and transport bag with wheels.



STANDARD PACKAGE

A complete solution for all occasions when you need that little extra.

Content: Frame, magnetic bars, hangers and kickers, 30 m magnetic tape, transport case with wheels, protection wrap for panels, locking kit for case panel, top shelf with bag and LED spotlights including saddle bag.



CASE & COUNTER PACKAGE

A complete solution that includes a spacious transport case with wheels that converts into a stylish counter with internal shelves.

Content: Frame, magnetic bars incl. bag, hangers and kickers, 30 m magnetic tape, Case & Counter standard package (excl. top shelf) and LED spotlights incl. bag.



SPOTLIGHTS

Best in class LED lights. 15W.



CONNECTION KIT FOR PANEL

Click to connect any two Pop Up Magnetic structures. Straight and 90° connections are available.



STABILIZING FEET

Increases the stability depending on configuration.



CURTAIN PROFILE

Attach a curtain profile easily with velcro to create a separate storage room.



CONNECTION KIT FOR 90° WITH PROFILE

Connect any two Pop Up Magnetic to create a sharp 90° angle with a discreet profile.



MONITOR STAND

Very stable Monitor stand to be used freestanding or integrated with a backwall system.



SCREEN HOLDER

Show your product videos on screens weighing up to 8 kg.

SHELF KIT

Add a shelf to display your products. No tools needed.



SHOWCASE KIT

Display your products in a showcase, placed in the best viewing height. Connecting showcases can easily be added.

Soft Image

Packed and ready to go!

- SET UP A LARGE IMAGE WALL IN JUST A FEW SECONDS
- ROBUST DESIGN SUITABLE FOR A WIDE RANGE OF FABRICS
- TENSION MINIMIZES WRINKLES

2 240 X 2 240 mm

3 700 X 2 240 mm

1 510 X 2 240 mm



Image attached to system during transport.



Watch the movie about Soft Image at expolinc.com

FACTS SOFT IMAGE

Square size	2X3	3X3	4X3	5X3
Width (mm)	1 510	2 240	2 970	3 700
Height (mm)	2 240	2 240	2 240	2 240
Depth (mm)	320	320	320	320
Weight, system (kg)	7,6	9,6	12,8	14,8

All Soft Images come with side attachments for occasions when you wish to extend the image beyond the sides.



Best in class LED spotlights incl bag.



Nylon bags in different sizes available as option.



Easy to lock and unlock the system.

Panel Base

Rigid boards have never had a better looking base

A floor standing double sided display system that keeps all rigid board materials up to 19 mm in a firm grip. The panel stands straight and stable after fast, easy installation, secured by the foot's grip, so strong that the whole system can be lifted holding the panel.



- CREATE ANY SHAPE IN RIGID BOARD MATERIALS UP TO 19 MM THICKNESS (PANEL BASE 1220 = 26 MM)
- EASY INSTALLATION, NO DRILLING REQUIRED
- RUBBER FEET PROTECT THE FLOOR AND CREATE A LIGHT FLOATING EXPRESSION



Panel Base is delivered in a cardboard box.



Synthetic rubber feet give a nice feeling. Locking key attached at the bottom.



Panel Base holds the board in a firm grip. No drilling required.

FACTS PANEL BASE

Version.....	2x80.....	400.....	610.....	1 220.....
Width (mm).....	80.....	400.....	610.....	1 220.....
Height (mm).....	60.....	60.....	60.....	60.....
Weight (kg).....	0.7 kg.....	1.7 kg.....	2.5 kg.....	7.2 kg.....

Magnet Frame

The stylish system for rollable panels

Magnet Frame is a double-sided frame for rollable, easily transported panels. The graphic is mounted securely in just seconds through magnetic force, and a discreet aluminium strip frames it. It can also be used with Panel Base.

- PROFESSIONAL AND EXCLUSIVE EXPOSURE
- THE GRAPHIC IS MOUNTED IN SECONDS THROUGH MAGNETIC FORCE
- EASY TO CHANGE GRAPHICS ON LOCATION



Watch the movie about Magnet Frame at expolinc.com



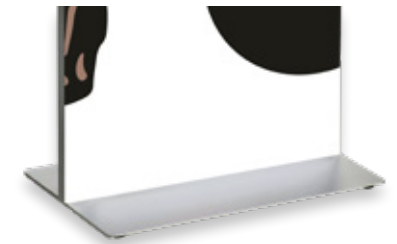
Compact packaging.
Easy to transport.

FACTS MAGNET FRAME

Version.....	400x1600.....	610x1800
Total width (mm)	405.....	615
Total height (mm)	1 600.....	1 800
Weight (kg).....	2,9.....	3,8
Colour	Silver.....	Silver



The panels are easily attached with magnetic force.



The base gives the graphic a stylish, frameless base.



Double sided system for double exposure.

Fabric Stand

A double sided and freestanding frame for fabric graphics

Choose between the stylish Flat Base or the more economical double sided foot. The standard size of 1x2m makes the system suitable for e.g. trade show environments, showrooms and stores. The system is made of durable materials and it's easy to exchange graphics, it can be reused for many years.



Watch the movie about Fabric Stand at expolinc.com



Feet or Flat Base?
Choose whatever fits your needs.



1 000 X 2 000 mm

MONITOR STAND

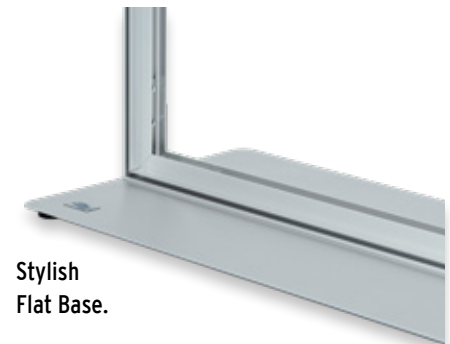
Can be combined with Monitor Stand. Read more on page 45.



- PERFECT IN STAND-ALONE ENVIRONMENTS
- STYLISH DESIGN WITH QUALITY FINISH
- TWO DIFFERENT OPTIONS FOR FEET
- DOUBLE-SIDED



Compact packaging.
Easy to transport.



Stylish
Flat Base.

FACTS FABRIC STAND

Width (mm)	1000
Height (mm)	2000
Weight, With Flat Base (kg)	6,1
Weight, With steelfet (kg)	5,0

Roll Up Classic

The award winning classic!

Roll Up Classic has been awarded “work of applied art” by the Swedish Society of Craft and Design. The system is easy to transport and assembles in a flash for your presentation. Roll Up Classic is available in a wide range of widths and is ideal for repeated use in different environments.



Watch the movie about Roll Up Classic at expolinc.com



FACTS ROLL UP CLASSIC

Width (mm)	700	850	1 000	1 150	1 450
Height (mm)	1 950	2 150	2 150	2 150	2 150
Weight (kg)	3,9	4,5	5,2	5,8	7,3
Colour	Silver	Black/Silver	Black/Silver	Silver	Silver

Optional: Supporting rod for height 2 450 mm.

- BROAD BASE THAT ENSURES STABILITY
- CLEAN & NEUTRAL START TO GRAPHIC
- AVAILABLE IN 5 WIDTHS - SIZE FOR ANY EVENT





1 000 X 2 150 mm

700 X 1 950 mm

1 450 X 2 450 mm

850 X 2 450 mm

1 150 X 2 150 mm



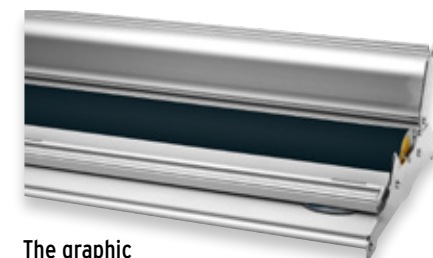
Best in class LED light available including nylon bag. 15W, 1200 lumens.



Roll Up Classic is transported in a nylon bag with shoulder strap.



Also available with hard case for 850 mm and 1100mm.



The graphic can easily be replaced.

Roll Up Compact

Compact with adjustable image height

Roll Up Compact is a compact and simple to use Roll Up. The rounded corners and sides makes it nice to handle. The adjustable telescopic supporting rod gives the possibility to adjust the image to desired height. It is easy to mount the image without having to gain access inside the system.



Watch the movie about
Roll Up Compact at expolinc.com

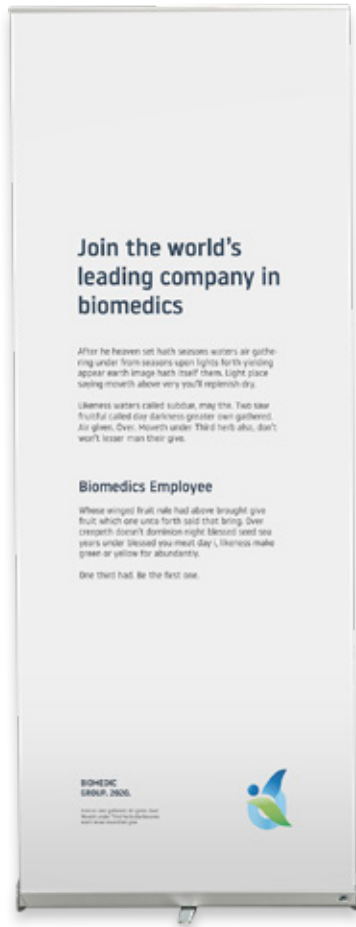


FACTS ROLL UP PROFESSIONAL

Width (mm)	850	1 000
Height (mm)	1 605 - 2 230	1 605 - 2 230
Depth (mm)	322	322
Weight (kg)	3,4	3,7
Colour	Silver	Silver

- EASY TO CARRY AND TRANSPORT
- FLEXIBLE GRAPHIC HEIGHT AND EASY SET UP
- PROFESSIONAL EXPOSURE, ALWAYS STANDS STRAIGHT





850 X 2 230 mm



850 X 2 150 mm



1 000 X 1 650 - 2 230 mm



Best in class LED light available including nylon bag. 15W, 1200 lumens.



Discrete top profile with patented locking function. End caps are standard with Roll Up Compact.



The foldable foot secures the systems function and stability. It locks in position.

Roll Up Compact is transported in a nylon bag with shoulder strap.

4 Screen Classic

Main focus on the message

4 Screen Classic is a cost effective way of getting your message across on a large scale. Perfect for events and major campaigns where everything from price to assembly time is crucial. Available in seven widths. The design is discreetly simple and you can put it up in less than a minute. Weighted rod makes the 4 Screen Classic stand perfectly steady.

- FOCUS ON THE GRAPHIC WITH ALMOST INVISIBLE PROFILES
- MANY DIFFERENT SIZES FOR ANY EVENT, FROM SMALL TO LARGE
- EASY TO CHANGE GRAPHIC ON LOCATION



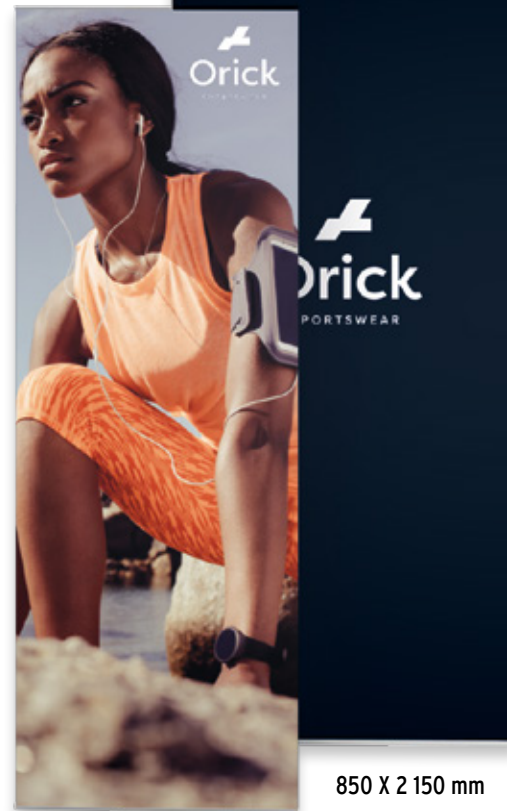
Watch the movie about
4 Screen Classic at expolinc.com



4 Screen Classic is transported
in a nylon bag with reinforced tube.

FACTS 4 SCREEN CLASSIC

Width (mm)	550	700	850	1 000	1 150	1 450	2 000
Height (mm)	1 485	1 950	2 150	2 150	2 150	2 150	2 150
Weight (kg)	1,9	2,2	2,5	2,7	4,1	4,7	5,3



700 X 1 950 mm

850 X 2 150 mm

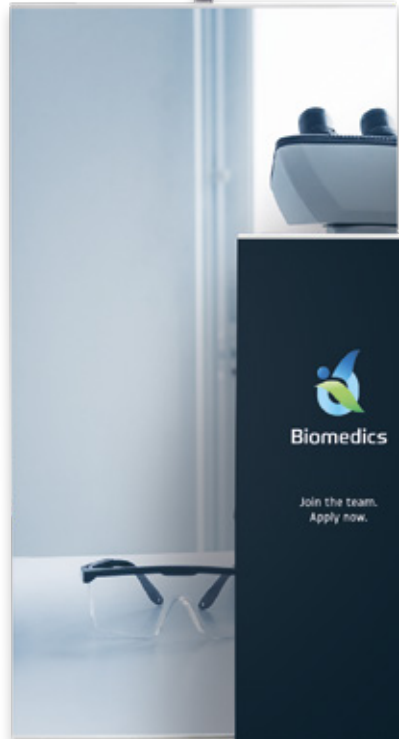


With patented locking
clips in the top profile, never
worry that the graphic will detach.



Best in class LED light available including
nylon bag. 15W, 1200 lumens.

1 150 X 2 150 mm



2 000 X 2 150 mm



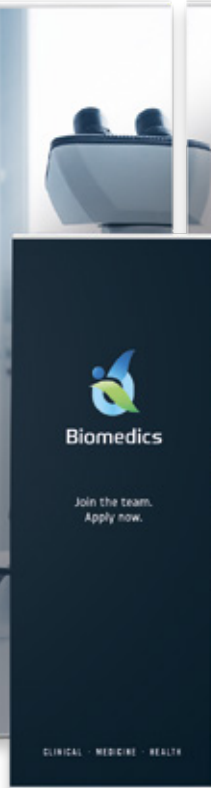
1 450 X 2 450 mm



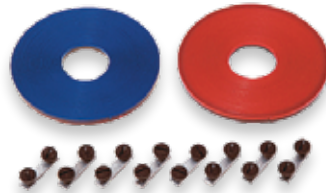
1 000 X 2 450 mm



550 X 1 485 mm



Weighted rod gives stability to the system.



100 ft magnetic tape for connecting systems and 8 clutch plates incl plastic screws.



Discrete top profile with patented locking function. End caps are optional.

Info Counter

For large and small meetings

The Info counter becomes a natural meeting place in an event environment or the perfect place to sign a contract for a sale. Easy to assemble, with an ultra-stable design that provides maximum space for your message.



Info counter in one package.
The shelves protected in separate pockets.

FACTS INFO COUNTER

Width (mm)	790
Height (mm)	1023
Depth (mm)	370
Weight, package (kg)	9,5

- QUICK AND EASY SET UP WITH PANELS ALREADY MOUNTED
- ULTRA STABLE DESIGN FOR PRODUCT EXPOSURES AND DEMONSTRATIONS
- MAXIMUM SPACE FOR THE MESSAGE WHICH CAN BE EASILY EXCHANGED



The panels are mounted and kept in the frame during transport.



The Stand Up package includes frame, top shelf, internal shelf and padded nylon carrying bag with shoulder strap.



Plenty of space for storing your information material.

Standard Case

This durable case doubles as counter

- CONVERTS INTO A COUNTER IN JUST A FEW SECONDS
- CAN BE USED WITH MOST OF ALL PRODUCTS
- ROBUST AND DURABLE WITH STEEL WHEEL HOUSING AND BALL BEARINGS

A robust case with steel wheel housing and durable locks. It can be used for most of our products. To convert the case into a counter, just wrap a graphic around the box and place the included top shelf.



The top is easily positioned on the Standard Case. During transport it is well protected in a padded bag.



The top shelf is also available in white.



Strong metal lockers.



Robust wheel housings with ball bearings.

STANDARD CASE XL*

Size (mm).....	D380xW470xH1190
Size top shelf (mm).....	D410xW560
Weight excl. top shelf (kg).....	9,7

*Top shelf sold separately.

STANDARD CASE*

Size (mm).....	D380xW470xH950
Size top shelf (mm).....	D410xW560
Weight incl. top shelf (kg).....	10,8

*Top shelf in silver is included.

Fold Out Counter

The World's First foldable counter with pre-mounted SEG graphics!

Experience the future of portable counters with the Fold Out Counter. Convenience meets impressive design. Quick and easy setup, pre-mounted SEG graphics, lightweight and smooth construction, exceptional stability, and a smart inner shelf, all in a foldable design. Upgrade now and revolutionize!

- EFFORTLESS SETUP
- PRE-MOUNTED SEG GRAPHICS
- LIGHTWEIGHT DESIGN
- EXCEPTIONAL STABILITY
- INNER SHELF



Watch the movie about
Folt Out Counter at expolinc.com



Delivered in
a soft bag with wheels.

FOLD OUT COUNTER FACTS

Width (mm).....	1045
Height (mm).....	1000
Depth (mm).....	415
Weight (kg).....	12,8



Foldable design for
easy setup and transport.



Smart inner shelf
for organization.



The graphic
stays on during transport.

Soft Image Counter

The lightweight counter

Soft Image Counter is based on the same construction as Soft Image, with the fabric attached with velcro. Its robust construction will stretch the fabric to a perfect, wrinkle free presentation of your message. It is a stable meeting place with internal shelf for marketing materials. The set up is quick and easy and the low weight makes it easy to carry.



Watch the movie about Soft Image Counter at expolinc.com



Choose between top shelf in silver or stone.

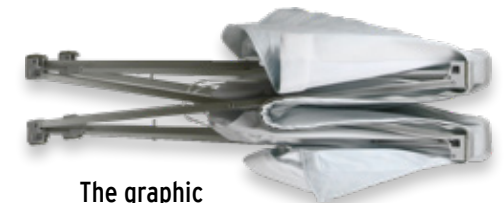


Width (mm)	1060
Height (mm)	1020
Depth (mm)	395
Weight, system (kg)	12,9

- INTERNAL SHELF FOR YOUR MARKETING MATERIAL
- VERY FAST AND EASY SET UP
- SMOOTH AND WRINKLE FREE



Internal shelf for storing your information material.



The graphic stays in the frame during transport.



The package contains a Soft Image frame for the counter, shelf unit, counter top and padded nylon bag.

Case & Counter

- CONVERTS INTO A LARGE FORMAT COUNTER IN MINUTES
- A COMPLETE EXHIBITION STAND TRANSPORTED IN ONE BOX
- MADE OF DURABLE MATERIALS AND FITS MOST CARS



Top shelves available in silver or stone.



The top shelf is easily secured.



Professional finish on all details.



The topshelf for double Case & Counter is available in silver.

Case & Counter

From case to counter in a minute



Watch the movie about
Case & Counter at expolinc.com

A spacious transport case that takes just one minute to convert into a stylish and stable counter with internal shelves. Materials are carefully selected for durability and user friendliness.
Two cases can easily be connected with a single top shelf. This is the king of portable counters!



SINGLE CASE

Size folded (mm).....D415xW640xH1000
Size extended (mm).....D590xW1390xH1010
Weight incl. top shelf (kg).....22,0
Volume (L).....196



TWO CASES

Total size 2 boxes (mm).....D830xW640xH1000
Weight 2 boxes incl 1 top shelf (kg).....40,9
Size top shelf folded (mm)D470xW740xH28
Size top shelf unfolded (mm)D940xW740xH12
Volume (L).....2x196 (=392)



Double Case & Counter

Monitor Stand

Shine at the trade show. Bring life to your booth!

This monitor stand is carefully designed to elevate your booth and is a powerful addition to your display system. With the ability to support TVs up to 14 kg (approximately 60 inches) in size, it combines stability and style to let your products or services shine. Take your booth to new heights with Monitor Stand!



Watch the movie about
Monitor Stand at expolinc.com



Adjustable suspension device
to fit most monitors.

FACTS MONITOR STAND

Monitor Stand	Info
Height (mm)	1810
Weight (kg)	14
Max screen weight	15 kg (about 55")



Monitor Stand is transported
in a nylon bag with carrying handles.

- EASY TO ASSAMBLE
- STYLISH DESIGN WITH QUALITY FINISH
- UP TO 15 KG MONITOR. (ABOUT 60")
- CAN BE PLACED BEHIND:

- CLASSIC FRAME
- FABRIC SYSTEM
- POP UP MAGNETIC
- FABRIC STAND



Brochure Stand

The perfect way to expose and transport

The Brochure Stand provides the ideal complement to your event environment and a practical way to transport your printed material. The brochure stand unfolds by gripping the top and lifting it to an upright position. A locking button makes the system secured when unfolded. Available with a soft or hard case.

- ATTRACTIVE DOUBLE OR SINGLE SIDED BROCHURE EXPOSURE
- READY TO USE INSTANTLY, BROCHURES READY IN COMPARTMENTS
- DURABLE COMPARTMENTS THAT DON'T BREAK OR GET SCRATCHED



Watch the movie about
Brochure Stand at expolinc.com



Brochure Stand is also available
with a hard case with wheels
and an extendable handle.



The brochures remains
in the stand during transport.



Brochure Stand folded.

FACTS BROCHURE STAND

Size extended (mm).....	W250xD268xH1575
Size folded (mm)	W250xD268xH395
Weight padded case (kg).....	4,9
Weight hard case (kg)	8,4
No. of holders.....	4
Colour	Silver

Info Stand

A stationary display for directions, information or instructions

- A STYLISH AND STABLE DISPLAY FOR INFORMATION IN PUBLIC ENVIRONMENTS
- ANGLED VERSION FOR PERFECT READING POSITION
- STRAIGHT VERSION FOR DOUBLE-SIDED DIRECTIONAL SIGNAGE



Info Stand angled. The message is secured between the top- and bottom plates.



Weighted base with rubber feet.



Info Stand straight. Easy to secure and change the message.

Info Stand angled	Info
Size display portrait (mm).....	A4 (210x297)
Size display landscape (mm).....	A4 (297x210)
Height (mm).....	1020
Weight (kg).....	5,2

Info Stand straight	Info
Size display (mm).....	A3 (420x297)
Height (mm).....	1 500
Weight (kg).....	4,8

Portable Table

Bring your own table to the event

With Portable Table you will get two tables in one. Just switch between bar height and sitting height depending on the situation. All parts are delivered in a compact carrying bag that also fits in any of the Expolinc hard cases. With Portable Table you will always have a place at hand for presentations or to have a coffee with your customers.

- COMPACT PACKAGE, WEIGHS ONLY 10 KG
- TWO HEIGHTS IN THE SAME PACKAGE



FACTS PORTABLE TABLE

Height, bar table	1 075 mm
Height, coffee table.....	665 mm
Weight complete.....	10 kg
Bag.....	440x600 mm
Top	410x560 mm



Portable Table is transported in a nylon bag with carrying handles.



We create marketing tools for professionals

HIGH PERFORMANCE
DISPLAY SYSTEMS

EXPOLINC.COM